

## 890 Slimline

A standard post with a difference. This post has a very contemporary look. It is more "designed" than a regular post, so can add a little style to an otherwise standard queue.

The Tensator 890 Slimline is the original slim design 51mm diameter post version of the Tensabarrier®.

### Features

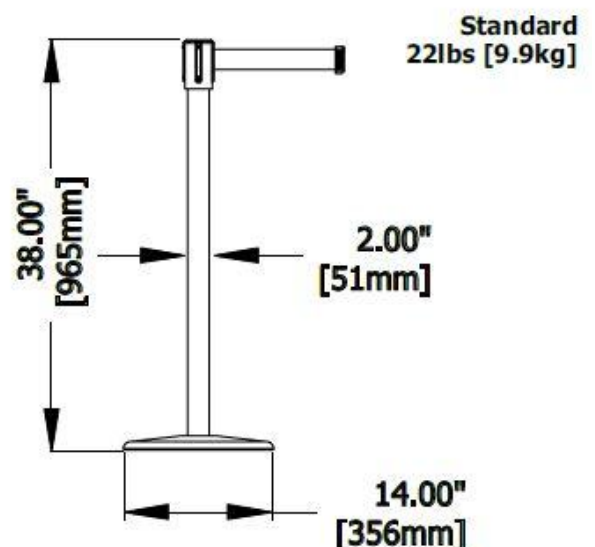
- Post available in Satin Black finish with cast iron base covered by a highly durable NoScuff™ ABS black plastic cover as standard
- Selection of brass and chrome posts available with Tensator's Universal Base, with a pressed steel cover
- Post and bases can be manufactured to match any RAL colour to complement your environment
- Modular cassette design offering four-point anti-tamper connection
- Constant torque webbing retraction
- Three tape ends for user specified applications- Anti-tamper, Panic Break, Magnetic
- 2.3m and 3.65m webbing options
- Accommodates the full range of sign holders

### Benefits

- The ultimate in flexibility, the Tensabarrier® is easy to set up
- Guide & inform your customers & employees
- Easily achieve the optimum queue layout for your floor space
- Reduces customer stress by removing ambiguity as to where the customer should queue and by providing separation between individuals and queue lines
- Durable & hardwearing dye print that does not scratch or deteriorate
- Digitally printed webbing offers branding opportunities

### Applications

- Perfect for use in museums, retail establishments, hotels, clubs, car showrooms and heritage sites



## Post Colours & Finishes



Satin Black



Polished Chrome



Satin Chrome



Polished Brass Effect



Satin Brass Effect

## Base Options

### ➔ Basics Base (890B)

Cast iron base covered by a highly durable NoScuff™ ABS black plastic cover, available with a Satin Black Post.

height	970mm	tube O.D.	51mm
base dia.	342mm	weight	11kg

### ➔ Universal Base (890U)

Cast iron slim profile base with a pressed steel cover. Post and Universal Base available in all of the above colours & finishes and can be powder coated to any RAL colour (minimum order quantity of 8 posts applies to RAL colour post and base order).

A super heavyweight option is available, and rubber floor protectors can be purchased.

height	970mm	tube O.D.	51mm
base dia.	344mm	weight	12kg

### ➔ eXpressions™ Base (890E)

The cast iron eXpressions base complements any decor with a dark gray anti-scuff outer ring and inlay finish options including polished chrome, satin chrome and any powder coated finishes.

height	970mm	tube O.D.	51mm
base dia.	345mm	weight	11kg

### ➔ Permanent Fixed or Removable Base (890F / 890R)

For added stability in applications with established traffic patterns. Removable post attaches to 421 socket (sold separately)

height	950mm	tube O.D.	51mm
base dia.	127mm	weight	4kg

Other colours & finishes are available in the various base options, please contact Sales Support for more information.

